

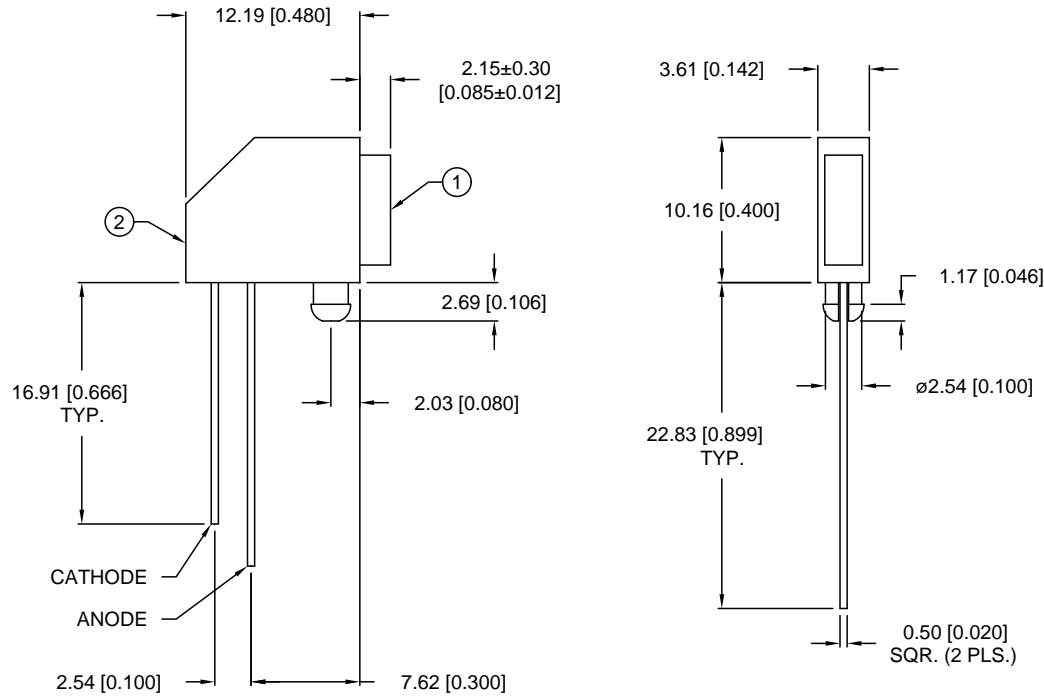
UNCONTROLLED DOCUMENT

PART NUMBER
SSF-LXH25780XX

REV.

REV. E.C.N. NUMBER AND REVISION COMMENTS

DATE




NOTES:

1. SSL-LX25783XX.
2. SSH-LXH25780 HOLDER, BLACK.

UNCONTROLLED DOCUMENT

*UNLESS OTHERWISE SPECIFIED TOLERANCE IS $\pm 0.25\text{mm}$ ($\pm 0.010''$)

REV.	PART NUMBER SSF-LXH25780XX	<p><u>CONFIDENTIAL INFORMATION</u> THE INFORMATION CONTAINED IN THIS DOCUMENT IS THE PROPERTY OF LUMEX INC. EXCEPT AS SPECIFICALLY AUTHORIZED IN WRITING BY LUMEX INC., THE HOLDER OF THIS DOCUMENT SHALL KEEP ALL INFORMATION CONTAINED HEREIN CONFIDENTIAL AND SHALL PROTECT SAME IN WHOLE OR IN PART FROM DISCLOSURE AND DISSEMINATION TO ALL THIRD PARTIES.</p> <p><u>RELIABILITY NOTE</u> OUR MANY YEARS OF EXPERIENCE DATA ACCUMULATION INDICATE THAT SOLDER HEAT IS A MAJOR CAUSE OF EARLY AND FUTURE FAILURE. PLEASE PAY ATTENTION TO YOUR SOLDERING PROCESS.</p>	 <p>290 E. HELLEN ROAD PALATINE, ILLINOIS 60067 PHONE: 1-847-359-2790 WEB: HTTP://WWW.LUMEX.COM</p>
2.5mm x 7mm RECTANGULAR, RIGHT ANGLE LED.			DRAWN BY:
			CHECKED BY:
			APPROVED BY:
			DATE:
			PAGE: 1 OF 1
			SCALE: N/A